

K-Frame



Typical K-Frame Circuit Breaker

Product Description

- All Cutler-Hammer K-Frame Circuit Breakers by Eaton Corporation are HACR rated.
- K-Frame circuit breakers are available as individual components (Frame, Trip Unit, Terminals), or factory assembled complete breakers.
- K-Frame circuit breakers with non-interchangeable trip units are suitable for reverse feed use.

Technical Data and Specifications

Table 12-165. NEMA/UL 489/CSA Interrupting Capacity Ratings

Circuit Breaker Type	Number of Poles	Interrupting Capacity (kA Symmetrical Amperes)				
		Volts ac (50/60 Hz)				Volts dc
		240	277	480	600	
DK	2, 3	65	—	—	—	10
KDB	2, 3, 4	65	—	35	25	10
KD	2, 3, 4	65	—	35	25	10
HKD, HKDB	2, 3, 4	100	—	65	35	22
KDC ③	2, 3, 4	200	—	100	65	22
CKD	3	65	—	35	25	—
CHKD	3	100	—	65	35	—

- ① 2-pole circuit breaker or two outside poles of 3-pole circuit breaker.
- ② Time constant is 3 milliseconds minimum at 10 kA and 8 milliseconds minimum at 22 kA.
- ③ Current limiting.

Table 12-166. IEC 157-1 (P1) Interrupting Capacity Ratings

Circuit Breaker Type	Number of Poles	Interrupting Capacity (kA Symmetrical Amperes)					
		Volts ac (50/60 Hz)					Volts dc
		240	380	415	440	500	
DK	2, 3	65	—	—	—	—	10
KDB	2, 3, 4	65	40	40	—	—	10
KD	2, 3, 4	65	40	40	—	—	10
HKD, HKDB	2, 3, 4	100	65	65	—	—	22
KDC	2, 3, 4	200	100	100	—	—	22

- ④ 2-pole circuit breaker or two outside poles of 3-pole circuit breaker.
- ⑤ Time constant is 3 milliseconds minimum at 10 kA and 8 milliseconds minimum at 22 kA.

K-Frame

K-Frame Digitrip Specifications

Table 12-167. Specifications

Trip Unit Type	Digitrip RMS 310	Digitrip OPTIM 550	Digitrip OPTIM 1050	
rms Sensing	Yes	Yes	Yes	
Breaker Type				
Frame	K	K	K	
Ampere Range	125 – 400A	125 – 400A	125 – 400A	
Interrupting Rating at 480 Volts	35, 65, 100 (kA)	35, 65, 100 (kA)	35, 65, 100 (kA)	
Protection				
Ordering Options	LS, LSG	LSI, LSIG	LSI, LSI(A), LSIG	LSI(A), LSIG
Fixed Rated Plug (I_N)	Yes	Yes	Yes	Yes
Overtemperature Trip	Yes	Yes	Yes	Yes
Long Delay Protection (L)				
Adjustable Rating Plug (I_N)	Yes	Yes	No	No
Long Delay Pickup	0.5 – 1.0 (I_N) ^①	0.5 – 1.0 (I_N) ^①	0.4 – 1.0 (I_N)	0.4 – 1.0 (I_N)
Long Delay Time I^2t	12 Seconds	12 Seconds	2 – 24 Seconds	2 – 24 Seconds
Long Delay Time I^4t	No	No	1 – 5 Seconds	1 – 5 Seconds
Long Delay Thermal Memory	Yes	Yes	Yes	Yes
High Load Alarm	No	No	0.5 – 1.0 $\times I_r$	0.5 – 1.0 $\times I_r$
Short Delay Protection (S)				
Short Delay Pickup	200 – 800% $\times (I_N)$	200 – 800% $\times (I_N)$	150 – 800% $\times (I_r)$	150 – 800% $\times (I_r)$
Short Delay Time I^2t	100 ms	No	100 – 500 ms	100 – 500 ms
Short Delay Time Flat	No	Inst – 300 ms	100 – 500 ms	100 – 500 ms
Short Delay Time Zone Selective Interlocking	No	No	Yes ^②	Yes
Instantaneous Protection (I)				
Instantaneous Pickup	No	200 – 800% $\times (I_N)$	200 – 800% $\times (I_N)$	200 – 800% $\times (I_N)$
Discriminator	No	No	Yes	Yes
Instantaneous Override	Yes	Yes	Yes	Yes
Ground Fault Protection (G)				
Ground Fault Alarm	No	No	20 – 100% $\times (I_S)$	20 – 100% $\times (I_S)$
Ground Fault Pickup	Varies by Frame ^⑥	Varies by Frame ^⑥	20 – 100% $\times (I_S)$	20 – 100% $\times (I_S)$
Ground Fault Delay I^2t	No	No	100 – 500 ms	100 – 500 ms
Ground Fault Delay Flat	Inst – 500 ms	Inst – 500 ms	100 – 500 ms	100 – 500 ms
Ground Fault Zone Selective Interlocking	No	No	Yes ^②	Yes
Ground Fault Thermal Memory	Yes	Yes	Yes	Yes
System Diagnostics				
Status LEDs	Yes	Yes	Yes	Yes
Cause of Trip LEDs	No	No	Yes	Yes
Magnitude of Trip Information	No	No	Yes	Yes
Remote Signal Contact — Ground Alarm	Yes ^③	Yes ^③	Yes ^②	Yes
Local Auxiliary and Bell Alarm Contact	Optional	Optional	Optional	Included
System Monitoring				
Digital Display	No	No	Yes ^④	Yes ^④
Current	No	No	Yes	Yes
Power and Energy	No	No	No	Yes
Power Quality — Harmonics	No	No	No	Yes
Power Factor	No	No	No	Yes
Communications				
Cutler-Hammer PowerNet	No	No	Yes ^⑤	Yes
Testing				
Testing Method	Test Set	OPTIMizer, BIM, Cutler-Hammer PowerNet		

① Adjust by rating plug.

② Zone interlock kit.

③ With separate ground fault alarm unit (GFAU).

④ By OPTIMizer/BIM.

⑤ Eaton's Cutler-Hammer PowerNet kit.

⑥ 400 ampere frame 1 – 5 $\times I_g$ (80 A).250 ampere frame 1 – 5 $\times I_g$ (50 A).125 ampere frame 1 – 5 $\times I_g$ (25 A).**Legend:** BIM = Breaker Interface Module

(A) = GF Alarm

 I_S = Sensor Rating I_N = Rating Plug I_r = Long Delay Pickup Setting

Dimensions/Weights

Table 12-168. Dimensions in Inches (mm)

Number of Poles	Width	Height	Depth
2, 3	5.50 (149.7)	10.13 (257.3)	4.10 (104.1)
4	7.22 (183.4)	10.13 (257.3)	4.10 (104.1)

Table 12-169. Approximate Shipping Weight, Lbs. (kg)

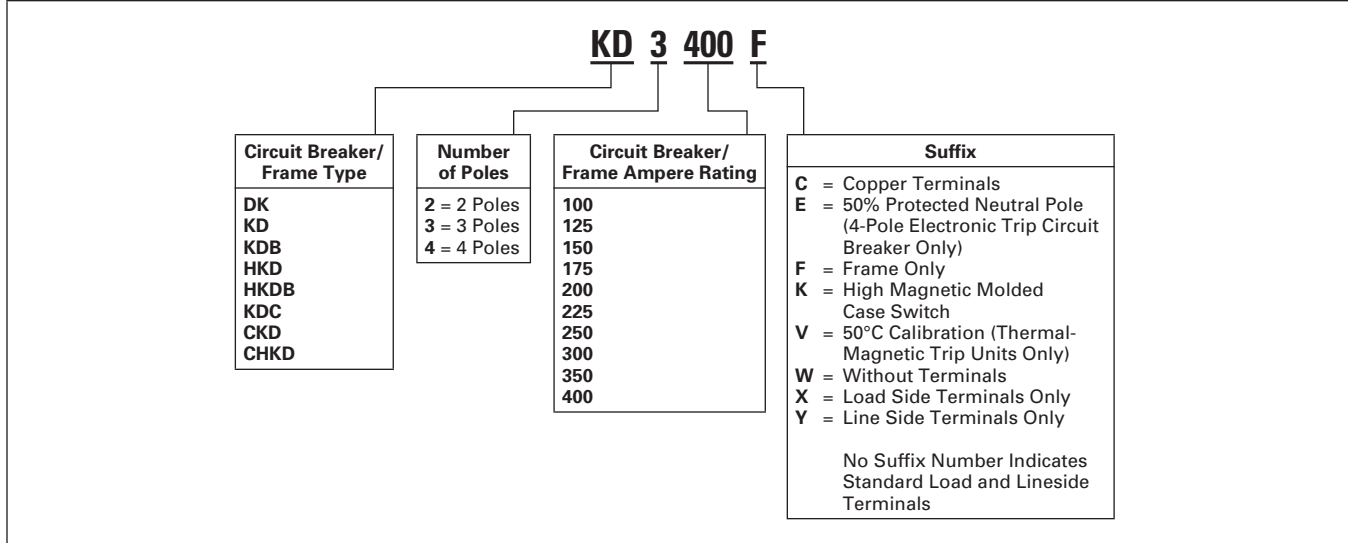
Breaker Type	Complete Breaker		Frame Only		Trip Unit ①	
	Number of Poles					
	2	3	2	3	2	3
DK	10.0 (4.5)	11.5 (5.2)	—	—	—	—
KDB	10.0 (4.5)	11.5 (5.2)	—	—	—	—
KD	10.0 (4.5)	11.5 (5.2)	7.5 (3.4)	8.5 (3.9)	1.5 (.7)	1.5 (.7)
HKD, HKDB	10.0 (4.5)	11.5 (5.2)	7.5 (3.4)	8.5 (3.9)	1.5 (.7)	1.5 (.7)
KDC	10.0 (4.5)	11.5 (5.2)	7.5 (3.4)	8.5 (3.9)	1.5 (.7)	1.5 (.7)

① Weights shown are for thermal-magnetic trip units. 3-pole electronic trip units weigh 2.5 lbs. (1.1 kg).

Product Selection

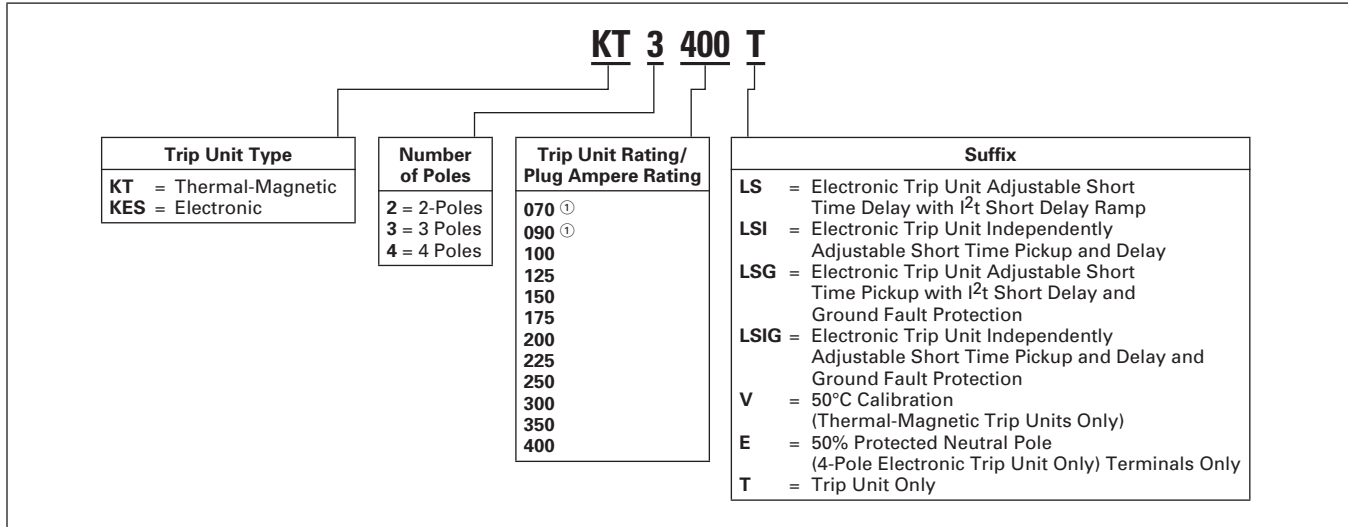
This information is presented only as an aid to understanding Catalog Numbers. It is not to be used to build Catalog Numbers for circuit breakers or trip units.

Table 12-170. Circuit Breaker/Frame Catalog Numbering System



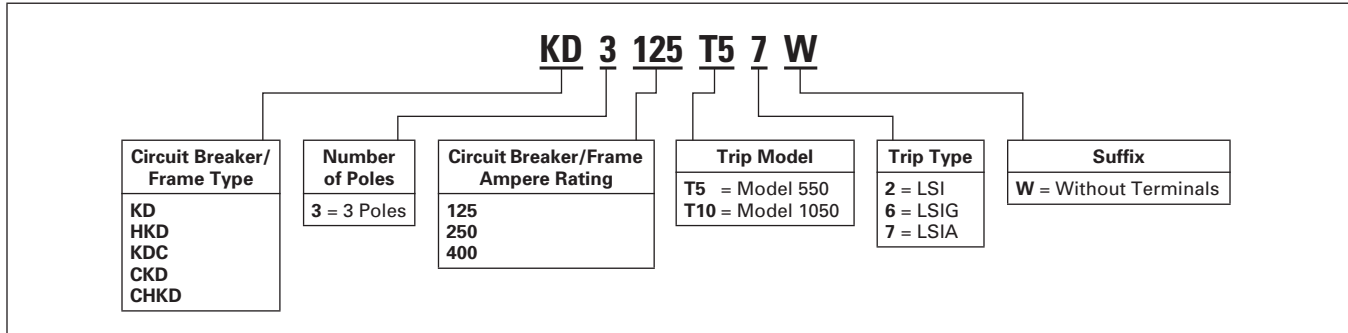
12

Table 12-171. Trip Unit Catalog Numbering System



① Ampere rating available with electronic trip unit only.

Table 12-172. OPTIM Circuit Breaker/Frame Catalog Numbering System



Product Selection

Table 12-173. Types KD, HKD and KDC Thermal-Magnetic Circuit Breakers with Interchangeable Trip Units

Maximum Continuous Ampere Rating at 40°C	Standard Interrupting Capacity 600 Vac Rated 35 kAIC at 480 Vac		High Interrupting Capacity 600 Vac Rated 65 kAIC at 480 Vac		Ultra High Interrupting Capacity Current Limiting 600 Vac Rated 100 kAIC at 480 Vac		Thermal-Magnetic Trip Unit Only ①		Standard Terminals Only	
	Factory Assembled Circuit Consisting of Frame, Trip Unit and Terminals ①		Factory Assembled Circuit Consisting of Frame, Trip Unit and Terminals ①		Factory Assembled Circuit Consisting of Frame, Trip Unit and Terminals ①		For Use with Standard or High or Ultra High Interrupting Frames		See Page 12-107 for Optional Terminals	
	Catalog Number	Price U.S. \$	Catalog Number	Price U.S. \$	Catalog Number	Price U.S. \$	Catalog Number	Price U.S. \$	Catalog Number	Price U.S. \$

2-Pole

100	KD2100		HKD2100		KDC2100		KT2100T		TA300K ②	
125	KD2125		HKD2125		KDC2125		KT2125T		TA300K ②	
150	KD2150		HKD2150		KDC2150		KT2150T		TA300K ②	
175	KD2175		HKD2175		KDC2175		KT2175T		TA300K ②	
200	KD2200		HKD2200		KDC2200		KT2200T		TA300K ②	
225	KD2225		HKD2225		KDC2225		KT2225T		TA300K ②	
250	KD2250		HKD2250		KDC2250		KT2250T		TA350K ②	
300	KD2300		HKD2300		KDC2300		KT2300T		TA350K ②	
350	KD2350		HKD2350		KDC2350		KT2350T		TA350K ②	
400	KD2400		HKD2400		KDC2400		KT2400T		2TA400K ③	

3-Pole

100	KD3100		HKD3100		KDC3100		KT3100T		TA300K ②	
125	KD3125		HKD3125		KDC3125		KT3125T		TA300K ②	
150	KD3150		HKD3150		KDC3150		KT3150T		TA300K ②	
175	KD3175		HKD3175		KDC3175		KT3175T		TA300K ②	
200	KD3200		HKD3200		KDC3200		KT3200T		TA300K ②	
225	KD3225		HKD3225		KDC3225		KT3225T		TA300K ②	
250	KD3250		HKD3250		KDC3250		KT3250T		TA350K ②	
300	KD3300		HKD3300		KDC3300		KT3300T		TA350K ②	
350	KD3350		HKD3350		KDC3350		KT3350T		TA350K ②	
400	KD3400		HKD3400		KDC3400		KT3400T		3TA400K ③	

4-Pole

100	KD4100		HKD4100		KDC4100		KT3100T		TA300K ②	
125	KD4125		HKD4125		KDC4125		KT3125T		TA300K ②	
150	KD4150		HKD4150		KDC4150		KT3150T		TA300K ②	
175	KD4175		HKD4175		KDC4175		KT3175T		TA300K ②	
200	KD4200		HKD4200		KDC4200		KT3200T		TA300K ②	
225	KD4225		HKD4225		KDC4225		KT3225T		TA300K ②	
250	KD4250		HKD4250		KDC4250		KT3250T		TA350K ②	
300	KD4300		HKD4300		KDC4300		KT3300T		TA350K ②	
350	KD4350		HKD4350		KDC4350		KT3350T		TA350K ②	
400	KD4400		HKD4400		KDC4400		KT3400T		4TA400K ③	

① Magnetic trip adjustable 5 – 10 times continuous ampere rating.

② Individually packed.

③ 2TA400K, 3TA400K and 4TA400K terminal kits contain one terminal for each pole and one terminal cover.

Table 12-174. Types KD, HKD and KDC Thermal-Magnetic Circuit Breakers — Frame Only

Standard Interrupting Capacity 600 Vac Rated 35 kAIC at 480 Vac		High Interrupting Capacity 600 Vac Rated 65 kAIC at 480 Vac		Ultra High Interrupting Capacity Current Limiting 600 Vac Rated 100 kAIC at 480 Vac	
Catalog Number	Price U.S. \$	Catalog Number	Price U.S. \$	Catalog Number	Price U.S. \$

2-Pole

KD2400F		HKD2400F		KDC2400F	
---------	--	----------	--	----------	--

3-Pole

KD3400F		HKD3400F		KDC3400F	
---------	--	----------	--	----------	--

4-Pole

KD4400F		HKD4400F		KDC4400F	
---------	--	----------	--	----------	--

K-Frame

Types KD, HKD and KDC Electronic Circuit Breakers with Interchangeable Trip Units

Order as individual components: Breaker Frame, Trip Unit, Rating Plug, Terminals.

Table 12-175. Types KD, HKD and KDC Electronic Circuit Breakers with Interchangeable Trip Units ①

Max. Cont. Ampere Rating at 40°C ②	Circuit Breaker Frame Only			Digitrip RMS 310 Trip Unit Only ③				Digitrip 310 Rating Plug Only			Standard Terminals Only See Page 12-107 for Optional Terminals
	Standard Interrupting Capacity 600 Vac Rated 35 kAIC at 480 Vac	High Interrupting Capacity 600 Vac Rated 65 kAIC at 480 Vac	Ultra High Interrupting Capacity Current Limiting 600 Vac Rated 100 kAIC at 480 Vac	Standard Adjustable Short Time Pickup with I ² t Short Delay Ramp	Options			Ampere Rating	Fixed Rating Plug	Adjustable Rating Plug Ampere Rating	
					Independently Adjustable Short Time Pickup and Delay	Adjustable Short Time Pickup with I ² t Short Delay and Ground Fault Protection	Independently Adjustable Short Time Pickup and Delay and Ground Fault Protection				
Catalog Number								Catalog Number			

3-Pole ④

125	KD3400F	HKD3400F	KDC3400F	KES3125LS	KES3125LSI	KES3125LSG	KES3125LSIG	70	1KES070T	70/90/100/125 A1KES125T1	TA300K ⑤ TA300K ⑤ TA300K ⑤ TA300K ⑤
								90	1KES090T		
								100	1KES100T		
								110	1KES110T		
								125	1KES125T		
250	KD3400F	HKD3400F	KDC3400F	KES3250LS	KES3250LSI	KES3250LSG	KES3250LSIG	70	2KES070T	125/150/200/250 A2KES250T1	TA300K ⑤ TA300K ⑤ TA300K ⑤ TA300K ⑤ TA300K ⑤ TA300K ⑤ TA350K ⑤
								100	2KES100T		
								125	2KES125T		
								150	2KES150T		
								160	2KES160T		
								175	2KES175T		
								200	2KES200T		
								225	2KES225T		
								250	2KES250T		
								400	KD3400F		
225	4KES225T										
250	4KES250T										
300	4KES300T										
350	4KES350T										
400	4KES400T										
		200/240/260/280 A4KES200T5									
		320/340/360/380 A4KES300T5									

4-Pole ⑦⑧

125	KD4400F	HKD4400F	KDC4400F	KES4125LS	KES4125LSI	—	—	70	1KES070T	70/90/100/125 A1KES125T1	TA300K ⑤ TA300K ⑤ TA300K ⑤ TA300K ⑤
								90	1KES090T		
								100	1KES100T		
								110	1KES110T		
								125	1KES125T		
250	KD4400F	HKD4400F	KDC4400F	KES4250LS	KES4250LSI	—	—	70	2KES070T	125/150/200/250 A2KES250T1	TA300K ⑤ TA300K ⑤ TA300K ⑤ TA300K ⑤ TA300K ⑤ TA300K ⑤ TA350K ⑤
								100	2KES100T		
								125	2KES125T		
								150	2KES150T		
								160	2KES160T		
								175	2KES175T		
								200	2KES200T		
								225	2KES225T		
								250	2KES250T		
						400	KD4400F	HKD4400F	KDC4400F		
		225	4KES225T								
		250	4KES250T								
		300	4KES300T								
		350	4KES350T								
		400	4KES400T								
		200/240/260/280 A4KES200T5									
		320/340/360/380 A4KES300T5									

- ① See Table 12-176 on Page 12-99 for prices.
- ② Ampere rating is established by rating plug.
- ③ For ac use only.
- ④ 3-pole KES Trip Units are for use in 3-pole frames only.
- ⑤ Individually packed.
- ⑥ 3TA400K and 4TA400K terminal kits contain one terminal for each pole and one terminal cover.
- ⑦ Trip unit includes protected neutral pole. Use corresponding 3-pole trip unit if protected neutral pole is not required.
- ⑧ Fully rated neutral pole protection is standard. For 50% rated protection on neutral pole, add Suffix E to 4-pole trip unit Catalog Number.

Product Selection

Table 12-176. Types KD, HKD and KDC Electronic Circuit Breakers with Interchangeable Trip Unit Prices

Catalog Number	Price U.S. \$	Catalog Number	Price U.S. \$	Catalog Number	Price U.S. \$	Catalog Number	Price U.S. \$
A1KES125T1 A2KES250T1 A4KES400T1 HKD3400F HKD4400F		KES3250LSI KES3250LSIG KES3400LS KES3400LSG KES3400LSI		1KES090T 1KES100T 1KES110T 1KES125T 2KES070T		4KES225T 4KES250T 4KES300T 4KES350T 4KES400T	
KDC3400F KDC4400F KD3400F KD4400F		KES3400LSIG KES4125LS KES4125LSI KES4250LS		2KES100T 2KES125T 2KES150T 2KES160T		4TA400K — — —	
KES3125LS KES3125LSG KES3125LSI KES3125LSIG KES3250LS KES3250LSG		KES4250LSI KES4400LS KES4400LSI TA300K TA350K 1KES070T		2KES175T 2KES200T 2KES225T 2KES250T 3TA400K 4KES200T		— — — — — —	

Table 12-177. Types KDB and HKDB with Non-Interchangeable Trip Unit Suitable for Reverse Feed

Maximum Continuous Ampere Rating at 40°C	Number of Poles	Circuit Breaker Frame Including Digitrip RMS 310 Electronic Trip Unit Less Terminals and Rating Plug				Digitrip RMS 310 Rating Plug (Order as Separate Items)	
		L – Adjustable Long Delay Pickup (By Adjustable Rating Plug) S – Adjustable Short Delay Pickup with Fixed Short Delay Time (I ² t Response) or Adjustable Short Time (Flat Response) I – Adjustable Instantaneous Pickup by Setting Short Time Delay Time to Instantaneous G – Adjustable Ground Fault Pickup with Adjustable Ground Fault Delay (Flat Response)				Fixed	Adjustable
		LS	LSI	LSG	LSIG		
		Catalog Number				Catalog Number	
Short Time Range		2 – 8 x I _n	2 – 8 x I _n	2 – 8 x I _n	2 – 8 x I _n		
Short Time Delay		—	0 – 300 ms	—	0 – 300 ms		
Ground Fault Pickup		—	—	Varies by Frame	Varies by Frame		
Ground Fault Delay		—	—	0 – 500 ms	0 – 500 ms		

Type KDB with Digitrip 310 Non-Interchangeable Trip Unit Suitable for Reverse Feed

Rating	Poles	33W	32W	35W	36W	Options	Rating
125	3	KDB3125FT33W	KDB3125FT32W	KDB3125FT35W	KDB3125FT36W	1KES070T 1KES090T 1KES100T 1KES125T	70/90/100/125 A1KES125T1
250	3	KDB3250FT33W	KDB3250FT32W	KDB3250FT35W	KDB3250FT36W	2KES070T 2KES090T 2KES100T 2KES125T 2KES150T 2KES160T 2KES175T 2KES200T 2KES225T 2KES250T	125/150/200/250 A2KES250T1
400	3	KDB3400FT33W	KDB3400FT32W	KDB3400FT35W	KDB3400FT36W	4KES200T 4KES225T 4KES250T 4KES300T 4KES350T 4KES400T	200/250/300/400 A4KES400T1 200/240/260/280 A4KES200T5 320/340/360/380 A4KES300T5

K-Frame

Table 12-177. Types KDB and HKDB with Non-Interchangeable Trip Unit Suitable for Reverse Feed (Continued)

Maximum Continuous Ampere Rating at 40°C	Number of Poles	Circuit Breaker Frame Including Digitrip RMS 310 Electronic Trip Unit Less Terminals and Rating Plug				Digitrip RMS 310 Rating plug (Order as Separate Items)	
		L – Adjustable Long Delay Pickup (By Adjustable Rating Plug) S – Adjustable Short Delay Pickup with Fixed Short Delay Time (I ² t Response) or Adjustable Short Time (Flat Response) I – Adjustable Instantaneous Pickup by Setting Short Time Delay Time to Instantaneous G – Adjustable Ground Fault Pickup with Adjustable Ground Fault Delay (Flat Response)				Fixed	Adjustable
		LS	LSI	LSG	LSIG	Catalog Number	
Short Time Range		2 – 8 x I _n	2 – 8 x I _n	2 – 8 x I _n	2 – 8 x I _n		
Short Time Delay		—	0 – 300 ms	—	0 – 300 ms		
Ground Fault Pickup		—	—	Varies by Frame	Varies by Frame		
Ground Fault Delay		—	—	0 – 500 ms	0 – 500 ms		

Type HKDB with Digitrip 310 Non-Interchangeable Trip Unit Suitable for Reverse Feed

125	3	HKDB3125FT33W	HKDB3125FT32W	HKDB3125FT35W	HKDB3125FT36W	1KES070T 1KES090T 1KES100T 1KES125T	70/90/100/125 AKES125T1
250	3	HKDB3250FT33W	HKDB3250FT32W	HKDB3250FT35W	HKDB3250FT36W	2KES070T 2KES090T 2KES100T 2KES125T 2KES150T 2KES160T 2KES175T 2KES200T 2KES225T 2KES250T	125/150/200/250 A2KES250T1
400	3	HKDB3400FT33W	HKDB3400FT32W	HKDB3400FT35W	HKDB3400FT36W	4KES200T 4KES225T 4KES250T 4KES300T 4KES350T 4KES400T	125/150/200/250 A4KES250T1 200/240/260/280 A4KES200T5 320/340/360/380 A4KES300T5

Types DK and KDB Thermal-Magnetic Circuit Breakers with Non-Interchangeable Trip Units

Suitable for reverse feed application.

Table 12-178. Types DK and KDB Thermal-Magnetic Circuit Breakers with Non-Interchangeable Trip Units

Maximum Continuous Ampere Rating at 40°C	240 Vac Rated, 250 Vdc						600 Vac Rated, 250 Vdc			
	Complete Circuit Breaker						Complete Circuit Breaker			
	Without Line and Load Terminals		With Line Terminals Only		With Standard Line and Load Terminals Only		Without Line and Load Terminals		With Standard Line and Load Terminals	
	Catalog Number	Price U.S. \$	Catalog Number	Price U.S. \$	Catalog Number	Price U.S. \$	Catalog Number	Price U.S. \$	Catalog Number	Price U.S. \$
2-Pole										
100	—	—	—	—	—	KDB2100W	—	—	KDB2100	—
125	—	—	—	—	—	KDB2125W	—	—	KDB2125	—
150	—	—	—	—	—	KDB2150W	—	—	KDB2150	—
175	—	—	—	—	—	KDB2175W	—	—	KDB2175	—
200	—	—	—	—	—	KDB2200W	—	—	KDB2200	—
225	—	—	—	—	—	KDB2225W	—	—	KDB2225	—
250	DK2250W	—	DK2250Y	—	DK2250	KDB2250W	—	—	KDB2250	—
300	DK2300W	—	DK2300Y	—	DK2300	KDB2300W	—	—	KDB2300	—
350	DK2350W	—	DK2350Y	—	DK2350	KDB2350W	—	—	KDB2350	—
400	DK2400W	—	DK2400Y	—	DK2400	KDB2400W	—	—	KDB2400	—
3-Pole										
100	—	—	—	—	—	KDB3100W	—	—	KDB3100	—
125	—	—	—	—	—	KDB3125W	—	—	KDB3125	—
150	—	—	—	—	—	KDB3150W	—	—	KDB3150	—
175	—	—	—	—	—	KDB3175W	—	—	KDB3175	—
200	—	—	—	—	—	KDB3200W	—	—	KDB3200	—
225	—	—	—	—	—	KDB3225W	—	—	KDB3225	—
250	DK3250W	—	DK3250Y	—	DK3250	KDB3250W	—	—	KDB3250	—
300	DK3300W	—	DK3300Y	—	DK3300	KDB3300W	—	—	KDB3300	—
350	DK3350W	—	DK3350Y	—	DK3350	KDB3350W	—	—	KDB3350	—
400	DK3400W	—	DK3400Y	—	DK3400	KDB3400W	—	—	KDB3400	—

Molded Case Switches

Eaton's Cutler-Hammer molded case switches are used as compact switches in applications requiring high current switching capabilities. Molded case switches are constructed of

circuit breaker components and are of the high instantaneous automatic type. Molded case switches are listed in accordance with Underwriters Laboratories Standard UL 1087.

Table 12-179. Molded Case Switches

Maximum Continuous Ampere Rating at 40°C	240 Vac Maximum, 250 Vdc		600 Vac Maximum, 250 Vdc		600 Vac Maximum, 250 Vdc	
	Complete Circuit Breaker with Standard Line and Load Terminals		Complete Circuit Breaker with Standard Line and Load Terminals		Complete Circuit Breaker with Standard Line and Load Terminals. Suitable for Reverse Feed Use	
	Catalog Number	Price U.S. \$	Catalog Number	Price U.S. \$	Catalog Number	Price U.S. \$
2-Pole						
400	DK2400K	—	KD2400K	—	KDB2400K	—
	—	—	HKD2400K	—	HKDB2400K	—
3-Pole						
400	DK3400K	—	KD3400K	—	KDB3400K	—
	—	—	HKD3400K	—	HKDB3400K	—
4-Pole						
400	—	—	KD4400K	—	KDB4400K	—
	—	—	HKD4400K	—	HKDB4400K	—

Note: Molded case switches may open above 4000 amperes.

K-Frame

100% Rated Types CKD and CHKD Electronic Circuit Breakers

The NEC allows the breaker to be rated at 100% of its frame size in an assembly, provided that 90°C wire is applied at the 75°C ampacity. All 100% rated circuit breakers have electronic trip units.

Table 12-180. 100% Rated Types CKD and CHKD Electronic Circuit Breakers ①

Maximum Continuous Ampere Rating at 40°C	Circuit Breaker Frame Only		Digitrip RMS 310 Trip Unit Only				Digitrip 310 Rating Plug Only			Standard Terminals Only See Page 12-107 for Optional Terminals	
	Standard Interrupting Capacity	High Interrupting Capacity	Standard	Options			Ampere Rating	Fixed Rating Plug	Adjustable Rating Plug		
			Adjustable Short Time Pickup with I ² t Short Delay Ramp	Independently Adjustable Short Time Pickup and Delay	Adjustable Short Time Pickup with I ² t Short Delay and Ground Fault Protection	Independently Adjustable Short Time Pickup and Delay and Ground Fault Protection			Ampere Rating		
	35 kAIC at 480 Vac	65 kAIC at 480 Vac									
	Catalog Number						Catalog Number				

3-Pole

125	CKD3400F	CHKD3400F	KES3125LS	KES3125LSI	KES3125LSG	KES3125LSIG	70 90 100 110 125	1KES070T 1KES090T 1KES100T 1KES110T 1KES125T	70/90/100/125 A1KES125T1	TA300K ② TA300K ② TA300K ② TA300K ② TA300K ②
250	CKD3400F	CHKD3400F	KES3250LS	KES3250LSI	KES3250LSG	KES3250LSIG	70 100 125 150 160 175 200 225 250	2KES070T 2KES100T 2KES125T 2KES150T 2KES160T 2KES175T 2KES200T 2KES225T 2KES250T	125/150/200/225 A2KES250T1	TA300K ② TA300K ② TA300K ② TA300K ② TA300K ② TA300K ② TA300K ② TA300K ② TA350K ②
400	CKD3400F	CHKD3400F	KES3400LS	KES3400LSI	KES3400LSG	KES3400LSIG	200 225 250 300 350 400	4KES200T 4KES225T 4KES250T 4KES300T 4KES350T 4KES400T	200/250/300/400 A4KES400T1 220/240/260/280 A4KES200T5 320/340/360/380 A4KES300T5	TA300K ② TA300K ② TA350K ② TA350K ② TA350K ② 3TA400K ③

① See Table 12-181 below for prices.

② Individually packed.

③ 3TA400K terminal kit contains one terminal for each pole and one terminal cover.

Table 12-181. 100% Rated Types CKD and CHKD Electronic Circuit Breakers Prices

Catalog Number	Price U.S. \$	Catalog Number	Price U.S. \$	Catalog Number	Price U.S. \$	Catalog Number	Price U.S. \$
A1KES125T1 A2KES250T1 A4KES400T1 A4KES200T5 A4KES300T5		KES3250LSG KES3250LSI KES3250LSIG KES3400LS KES3400LSG		1KES070T 1KES090T 1KES100T 1KES110T 1KES125T		2KES200T 2KES225T 2KES250T 3TA400K —	
CHKD3400F CKD3400F KES3125LS KES3125LSG KES3125LSI KES3125LSIG KES3250LS		KES3400LSI KES3400LSIG TA300K TA350K — — —		2KES070T 2KES100T 2KES125T 2KES150T 2KES160T 2KES175T —		4KES200T 4KES225T 4KES250T 4KES300T 4KES350T 4KES400T —	

Digitrip OPTIM 550 Electronic Circuit Breakers with Interchangeable Rating Plug

Order as individual components: Breaker Frame (which includes Trip Unit), Rating Plug, Terminals.

Table 12-182. Digitrip OPTIM 550 Electronic Circuit Breakers with Interchangeable Rating Plug

Maximum Continuous Ampere Rating at 40°C	Circuit Breaker Frame Only						Digitrip OPTIM Rating Plug Only	
	L – Adjustable Long Delay Pickup (I _p) with Adjustable Long Delay Time (I ² t or I ⁴ t Response) ① S – Adjustable Short Delay Pickup with Adjustable Short Delay Time (I ² t or Flat Response) I – Adjustable Instantaneous Pickup G – Adjustable Ground Fault Pickup with Adjustable Ground Fault Time (I ² t or Flat Response) A – Adjustable Ground Fault Alarm with Adjustable Ground Fault Time (I ² t or Flat Response)						Ampere Rating	Fixed Rating Plug
	OPTIM 550 ②							
	LSI		LSIG		LSIA			
Catalog Number	Price U.S. \$	Catalog Number	Price U.S. \$	Catalog Number	Price U.S. \$	Catalog Number	Price U.S. \$	

3-Pole Standard Interrupting Capacity 600 Vac Rated 35 kAIC at 480 Vac

Frame Rating	LSI Catalog Number	Price U.S. \$	LSIG Catalog Number	Price U.S. \$	LSIA Catalog Number	Price U.S. \$	Rating Plug	Price U.S. \$
125	KD3125T52W		KD3125T56W		KD3125T57W		70	ORPK125A70
							90	ORPK125A90
							100	ORPK125A100
							110	ORPK125A110
							125	ORPK125A125
250	KD3250T52W		KD3250T56W		KD3250T57W		125	ORPK025A125
							150	ORPK025A150
							175	ORPK025A175
							200	ORPK025A200
							225	ORPK025A225
250	ORPK025A250							
400	KD3400T52W		KD3400T56W		KD3400T57W		200	ORPK40A200
							225	ORPK40A225
							250	ORPK40A250
							300	ORPK40A300
							350	ORPK40A350
400	ORPK40A400							

3-Pole High Interrupting Capacity 600 Vac Rated 65 kAIC at 480 Vac

Frame Rating	LSI Catalog Number	Price U.S. \$	LSIG Catalog Number	Price U.S. \$	LSIA Catalog Number	Price U.S. \$	Rating Plug	Price U.S. \$
125	HKD3125T52W		HKD3125T56W		HKD3125T57W		70	ORPK125A70
							90	ORPK125A90
							100	ORPK125A100
							110	ORPK125A110
							125	ORPK125A125
250	HKD3250T52W		HKD3250T56W		HKD3250T57W		125	ORPK025A125
							150	ORPK025A150
							175	ORPK025A175
							200	ORPK025A200
							225	ORPK025A225
250	ORPK025A250							
400	HKD3400T52W		HKD3400T56W		HKD3400T57W		200	ORPK40A200
							225	ORPK40A225
							250	ORPK40A250
							300	ORPK40A300
							350	ORPK40A350
400	ORPK40A400							

3-Pole Ultra High Interrupting Capacity Current Limiting 600 Vac Rated 100 kAIC at 480 Vac

Frame Rating	LSI Catalog Number	Price U.S. \$	LSIG Catalog Number	Price U.S. \$	LSIA Catalog Number	Price U.S. \$	Rating Plug	Price U.S. \$
125	KDC3125T52W		KDC3125T56W		KDC3125T57W		70	ORPK125A70
							90	ORPK125A90
							100	ORPK125A100
							110	ORPK125A110
							125	ORPK125A125
250	KDC3250T52W		KDC3250T56W		KDC3250T57W		125	ORPK025A125
							150	ORPK025A150
							175	ORPK025A175
							200	ORPK025A200
							225	ORPK025A225
250	ORPK025A250							
400	KDC3400T52W		KDC3400T56W		KDC3400T57W		200	ORPK40A200
							225	ORPK40A225
							250	ORPK40A250
							300	ORPK40A300
							350	ORPK40A350
400	ORPK40A400							

① Long delay I⁴t response selection limits short delay time to flat response.

② Zone Interlocking, PowerNet, or both features can be added at the factory by adding Suffixes **ZG**, **PN** or **ZGP** respectively to above Catalog Number (refer to **Page 12-256** and take list price Adder x 1.25).

K-Frame

Digitrip OPTIM 1050 Electronic Circuit Breakers with Interchangeable Rating Plug

Order as individual components: Breaker Frame (which includes Trip Unit), Rating Plug, Terminals.

Table 12-183. Digitrip OPTIM 1050 Electronic Circuit Breakers with Interchangeable Rating Plug

Maximum Continuous Ampere Rating at 40°C	Circuit Breaker Frame Only				Digitrip OPTIM Rating Plug Only	
	L – Adjustable Long Delay Pickup (I_L) with Adjustable Long Delay Time (I^2t or I^4t Response) ① S – Adjustable Short Delay Pickup with Adjustable Short Delay Time (I^2t or Flat Response) I – Adjustable Instantaneous Pickup G – Adjustable Ground Fault Pickup with Adjustable Ground Fault Time (I^2t or Flat Response) A – Adjustable Ground Fault Alarm with Adjustable Ground Fault Time (I^2t or Flat Response)				Ampere Rating	Fixed Rating Plug
	OPTIM 1050 ②					
	LSIG		LSIA			
Catalog Number	Price U.S. \$	Catalog Number	Price U.S. \$	Catalog Number	Price U.S. \$	

3-Pole Standard Interrupting Capacity 600 Vac Rated 35 kAIC at 480 Vac

Frame Rating	Frame Model	Price U.S. \$	Frame Model	Price U.S. \$	Rating Plug	Price U.S. \$
125	KD3125T106W		KD3125T107W		70	ORPK125A70
					90	ORPK125A90
					100	ORPK125A100
					110	ORPK125A110
					125	ORPK125A125
250	KD3250T106W		KD3250T107W		125	ORPK025A125
					150	ORPK025A150
					175	ORPK025A175
					200	ORPK025A200
					225	ORPK025A225
					250	ORPK025A250
400	KD3400T106W		KD3400T107W		200	ORPK40A200
					225	ORPK40A225
					250	ORPK40A250
					300	ORPK40A300
					350	ORPK40A350
					400	ORPK40A400

3-Pole High Interrupting Capacity 600 Vac Rated 65 kAIC at 480 Vac

Frame Rating	Frame Model	Price U.S. \$	Frame Model	Price U.S. \$	Rating Plug	Price U.S. \$
125	HKD3125T106W		HKD3125T107W		70	ORPK125A70
					90	ORPK125A90
					100	ORPK125A100
					110	ORPK125A110
					125	ORPK125A125
250	HKD3250T106W		HKD3250T107W		125	ORPK025A125
					150	ORPK025A150
					175	ORPK025A175
					200	ORPK025A200
					225	ORPK025A225
					250	ORPK025A250
400	HKD3400T106W		HKD3400T107W		200	ORPK40A200
					225	ORPK40A225
					250	ORPK40A250
					300	ORPK40A300
					350	ORPK40A350
					400	ORPK40A400

3-Pole Ultra High Interrupting Capacity Current Limiting 600 Vac Rated 100 kAIC at 480 Vac

Frame Rating	Frame Model	Price U.S. \$	Frame Model	Price U.S. \$	Rating Plug	Price U.S. \$
125	KDC3125T106W		KDC3125T107W		70	ORPK125A70
					90	ORPK125A90
					100	ORPK125A100
					110	ORPK125A110
					125	ORPK125A125
250	KDC3250T106W		KDC3250T107W		125	ORPK025A125
					150	ORPK025A150
					175	ORPK025A175
					200	ORPK025A200
					225	ORPK025A225
					250	ORPK025A250
400	KDC3400T106W		KDC3400T107W		200	ORPK40A200
					225	ORPK40A225
					250	ORPK40A250
					300	ORPK40A300
					350	ORPK40A350
					400	ORPK40A400

① Long delay I^4t response selection limits short delay time to flat response.

② Factory sealed.

12

100% Rated Digitrip OPTIM 550 Electronic Circuit Breakers with Interchangeable Rating Plug

Order as individual components: Breaker Frame (which includes Trip Unit), Rating Plug, Terminals.

Table 12-184. 100% Rated Digitrip OPTIM 550 Electronic Circuit Breakers with Interchangeable Rating Plug

Maximum Continuous Ampere Rating at 40°C	Circuit Breaker Frame Only					Digitrip OPTIM Rating Plug Only		
	L – Adjustable Long Delay Pickup (I_p) with Adjustable Long Delay Time (I^2t or I^4t Response) ①					Ampere Rating	Fixed Rating Plug	
	S – Adjustable Short Delay Pickup with Adjustable Short Delay Time (I^2t or Flat Response)							
	I – Adjustable Instantaneous Pickup							
G – Adjustable Ground Fault Pickup with Adjustable Ground Fault Time (I^2t or Flat Response)								
A – Adjustable Ground Fault Alarm with Adjustable Ground Fault Time (I^2t or Flat Response)								
OPTIM 550 ②								
LSI		LSIG		LSIA				
Catalog Number	Price U.S. \$	Catalog Number	Price U.S. \$	Catalog Number	Price U.S. \$	Catalog Number	Price U.S. \$	

3-Pole Standard Interrupting Capacity 600 Vac Rated 35 kAIC at 480 Vac

Rating	LSI	Price	LSIG	Price	LSIA	Price	Rating Plug	Price
125	CKD3125T52W		CKD3125T56W		CKD3125T57W		70 90 100 110 125	ORPK125A70 ORPK125A90 ORPK125A100 ORPK125A110 ORPK125A125
250	CKD3250T52W		CKD3250T56W		CKD3250T57W		125 150 175 200 225 250	ORPK025A125 ORPK025A150 ORPK025A175 ORPK025A200 ORPK025A225 ORPK025A250
400	CKD3400T52W		CKD3400T56W		CKD3400T57W		200 225 250 300 350 400	ORPK40A200 ORPK40A225 ORPK40A250 ORPK40A300 ORPK40A350 ORPK40A400

3-Pole High Interrupting Capacity 600 Vac Rated 65 kAIC at 480 Vac

Rating	LSI	Price	LSIG	Price	LSIA	Price	Rating Plug	Price
125	CHKD3125T52W		CHKD3125T56W		CHKD3125T57W		70 90 100 110 125	ORPK125A70 ORPK125A90 ORPK125A100 ORPK125A110 ORPK125A125
250	CHKD3250T52W		CHKD3250T56W		CHKD3250T57W		125 150 175 200 225 250	ORPK025A125 ORPK025A150 ORPK025A175 ORPK025A200 ORPK025A225 ORPK025A250
400	CHKD3400T52W		CHKD3400T56W		CHKD3400T57W		200 225 250 300 350 400	ORPK40A200 ORPK40A225 ORPK40A250 ORPK40A300 ORPK40A350 ORPK40A400

① Long delay I^4t response selection limits short delay time to flat response.

② Zone Interlocking, PowerNet, or both features can be added at the factory by adding Suffixes **ZG**, **PN** or **ZGP** respectively to above Catalog Number (refer to **Page 12-256** and take list price Adder x 1.25).

K-Frame

100% Rated Digitrip OPTIM 1050 Electronic Circuit Breakers with Interchangeable Rating Plug

Order as individual components: Breaker Frame (which includes Trip Unit), Rating Plug, Terminals.

Table 12-185. 100% Rated Digitrip OPTIM 1050 Electronic Circuit Breakers with Interchangeable Rating Plug

Maximum Continuous Ampere Rating at 40°C	Circuit Breaker Frame Only				Digitrip OPTIM Rating Plug Only	
	L – Adjustable Long Delay Pickup (I_p) with Adjustable Long Delay Time (I^2t or I^4t Response) ① S – Adjustable Short Delay Pickup with Adjustable Short Delay Time (I^2t or Flat Response) I – Adjustable Instantaneous Pickup G – Adjustable Ground Fault Pickup with Adjustable Ground Fault Time (I^2t or Flat Response) A – Adjustable Ground Fault Alarm with Adjustable Ground Fault Time (I^2t or Flat Response)				Ampere Rating	Fixed Rating Plug
	OPTIM 1050 ②					
	LSIG		LSIA			
Catalog Number	Price U.S. \$	Catalog Number	Price U.S. \$	Catalog Number	Price U.S. \$	

3-Pole Standard Interrupting Capacity 600 Vac Rated 35 kAIC at 480 Vac

Frame Size	Frame Model	Price U.S. \$	Frame Model	Price U.S. \$	Rating Plug	Price U.S. \$
125	CKD3125T106W		CKD3125T107W		70	ORPK125A70
					90	ORPK125A90
					100	ORPK125A100
					110	ORPK125A110
					125	ORPK125A125
250	CKD3250T106W		CKD3250T107W		125	ORPK025A125
					150	ORPK025A150
					175	ORPK025A175
					200	ORPK025A200
					225	ORPK025A225
					250	ORPK025A250
400	CKD3400T106W		CKD3400T107W		200	ORPK40A200
					225	ORPK40A225
					250	ORPK40A250
					300	ORPK40A300
					350	ORPK40A350
					400	ORPK40A400

3-Pole High Interrupting Capacity 600 Vac Rated 65 kAIC at 480 Vac

Frame Size	Frame Model	Price U.S. \$	Frame Model	Price U.S. \$	Rating Plug	Price U.S. \$
125	CHKD3125T106W		CHKD3125T107W		70	ORPK125A70
					90	ORPK125A90
					100	ORPK125A100
					110	ORPK125A110
					125	ORPK125A125
250	CHKD3250T106W		CHKD3250T107W		125	ORPK025A125
					150	ORPK025A150
					175	ORPK025A175
					200	ORPK025A200
					225	ORPK025A225
					250	ORPK025A250
400	CHKD3400T106W		CHKD3400T107W		200	ORPK40A200
					225	ORPK40A225
					250	ORPK40A250
					300	ORPK40A300
					350	ORPK40A350
					400	ORPK40A400

① Long delay I^4t response selection limits short delay time to flat response.

② Factory sealed.

K-Frame

Line and Load Terminals

Eaton's Cutler-Hammer line and load terminals provide wire connecting capabilities for specific ranges of continuous current ratings and wire types. All terminals comply with Underwriters Laboratories Standards

UL 486A and UL 486B and CSA Standard C22.2 No. 65, or Electrical Bulletin 1165. Unless otherwise specified, K-Frame circuit breaker line and load terminals are shipped separately for field installation.

Ordering Information

K-Frame circuit breakers use Cu/Al terminals as standard. When optional copper or Cu/Al terminals are required, order by Catalog Number. Specify if factory installation is required.

Table 12-186. Line and Load Terminals

Maximum Breaker Amperes	Terminal Body Material	Wire Type	AWG Wire Range/No. Conductors	Metric Wire Range mm ²	Terminal		Figure	Terminals with Control Wire Termination		Figure
					Catalog Number	Price U.S. \$		Catalog Number	Price U.S. \$	
Standard Cu/Al Pressure Terminals										
225	Aluminum	Cu/Al	3 – 350/(1)	35 – 185	TA300K ①		12-26	—		—
350	Aluminum	Cu/Al	250 – 500/(1)	120 – 240	TA350K ①		12-25	—		—
400	Aluminum	Cu/Al	3/0 – 250/(2)	95 – 120	2TA400K ②③ 3TA400K ②④ 4TA400K ⑤⑥		12-24 12-24 12-24	2TA400KCW ②③ 3TA400KCW ②④ 4TA400KCW ⑤⑥		12-27 12-27 12-27
Optional Copper and Cu/Al Pressure Type Terminals										
225	Copper	Cu	3 – 350/(1)	35 – 185	T300K ①		12-26	—		—
350	Copper	Cu	250 – 500/(1)	120 – 240	T350K ①		12-25	—		—
400	Copper	Cu	3/0 – 250/(2)	95 – 120	2T400K ③ 3T400K ④ 4T400K ⑤		12-24 12-24 12-24	2T400KCW ②③ 3T400KCW ②④ 4T400KCW ⑤⑥		12-27 12-27 12-27
400	Aluminum	Cu/Al	2/0 – 250/(2) or 2/0 – 500/(1)	70 – 120 70 – 240 70 – 240	2TA401K ②③ 3TA401K ②④ 4TA401K ⑤⑥		12-23 12-23 12-23	2TA401KCW ②③ 3TA401KCW ②④ 4TA401KCW ⑤⑥		12-27 12-27 12-27
400	Aluminum	Cu/Al	500 – 750/(1)	300 – 400	2TA402K ②③ 3TA402K ②④ 4TA402K ⑤⑥		12-28 12-28 12-28	— — —		— — —
400	Copper	Cu	500 – 750/(1)	—	2T402K ②③ 3T402K ②④ 4T402K ⑤⑥		12-28 12-28 12-28	— — —		— — —

- ① Individually packed.
- ② Terminal kits contain one terminal for each pole and one terminal cover.
- ③ 2-pole kit.
- ④ 3-pole kit.
- ⑤ 4-pole kit.
- ⑥ Terminal kits contain one terminal for each pole and three interphase barriers.

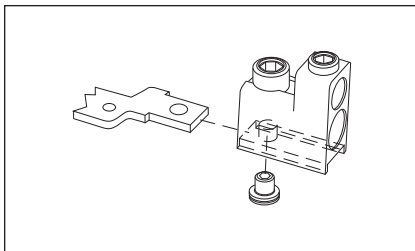


Figure 12-23. TA401K

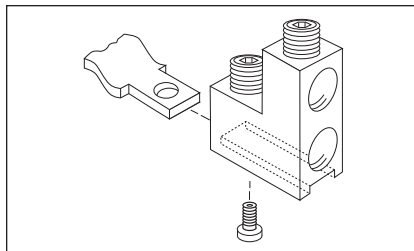


Figure 12-24. TA400K, T400K

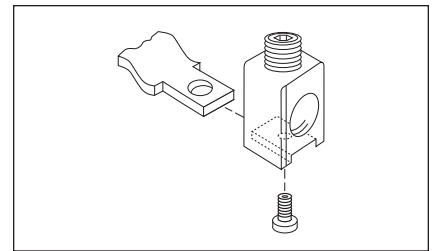


Figure 12-25. TA350K, T350K

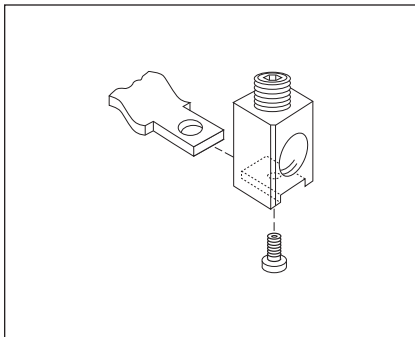


Figure 12-26. TA300K, T300K

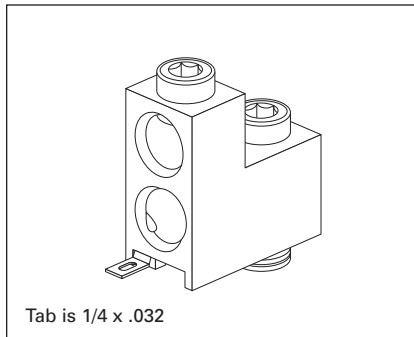


Figure 12-27. T400KCW, TA400KCW, TA401KCW

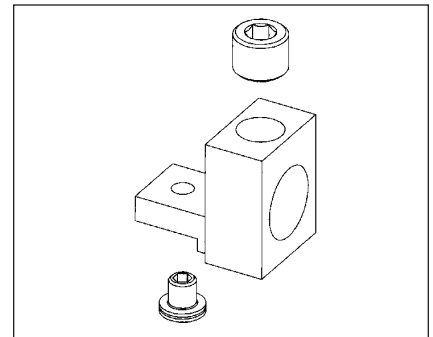


Figure 12-28. TA402K, T402K

K-Frame

Allowable Accessory Combinations

Different combinations of accessories can be supplied, depending on the types of accessories and the number of poles in the circuit breaker.

Table 12-187. Accessories

Description	Reference Page	2-Pole ^①		3-Pole			4-Pole			
		Left	Right	Left	Center	Right	Left	Center	Right	Neu.
Internal Accessories (Only One Internal Accessory Per Pole)										
Alarm Lockout (Make/Break)	12-231		■	□		□	■			
Alarm Lockout (2Make/2Break)	12-231			□		□	■			
Auxiliary Switch (1A, 1B)	12-234		■	■		■	■			■
Auxiliary Switch (2A, 2B)	12-234			■		■	■			■
Auxiliary Switch (3A, 3B)	12-234			■		■	■			■
Auxiliary Switch and Alarm Switch Combination	12-237			□		□	□			□
Shunt Trip — Standard ^②	12-240		■	■		■	■			■
Shunt Trip — Low Energy ^②	12-245			■		■	■			
Undervoltage Release Mechanism ^②	12-246		■	■		■	■			
PowerNet or Zone Interlock Kit (OPTIM 550)	12-256						■			
External Accessories										
End Cap Kit	12-257		●			●				●
Keeper Nut	12-257		●			●				●
Control Wire Terminal Kit	12-258		●			●				●
Terminal Adapter	12-258		●			●				●
Multiwire Connectors	12-259		●			●				●
Base Mounting Hardware	12-260		●			●				●
Terminal Shields	12-262		●			●				●
Interphase Barriers	12-263		●			●				●
Non-Padlockable Handle Block	12-265	■				■			■	
Padlockable Handle Block	12-265					■				
Padlockable Handle Lock Hasp	12-266		■	□		□	□			□
Cylinder Lock	12-266	□	□	□		□				□
Key Interlock Kit	12-267	■	□	□		□	□			□
Sliding Bar Interlock — Requires Two Breakers	12-268					●				
Walking Beam Interlock — Requires Two Breakers	12-268					●				●
Electrical (Solenoid) Operator	12-269					●				●
Plug-in Adapters	12-271		●			●				●
Rear Connecting Studs	12-272		●			●				●
Panelboard Connecting Straps	12-275		●			●				●
Handle Mechanisms	12-276		●			●				●
Handle Extension	12-281		●			●				●
IQ Energy Sentinel	12-282					●				●
Solid-State (Electronic) Portable Test Kit	12-282		●			●				●
OPTIM System Components 3-Poles										
Breaker Interface Module (BIM)	12-283									
Digitrip OPTIMizer	12-283									
Auxiliary Power Module	12-283									
Modifications (Refer to Eaton)										
Special Calibration	—		●			●				●
Moisture Fungus Treatment	12-205		●			●				●
Freeze-Tested Circuit Breakers	—		●			●				●
Marine Application	—		●			●				●

■ Applicable in indicated pole position.

□ May be mounted on left or right pole — not both.

● Accessory available/Modification available.

^① 2-pole breaker supplied in 3-pole frame. Current carrying parts omitted from center pole.

^② Shunt trip and UVR cannot be mounted in right poles on LES or OPTIM trip units.