



Gotham Architectural Downlighting
LED Downlights

2" Incito Cylinder

Solid-State Lighting
(US and International Patents Pending)



FEATURES

OPTICAL SYSTEM

- Superior 100% virgin silicone refractive optic enables maximum dimensional stability and optical transmission with no discoloration over life.
- Primary control of distribution occurs in optic allowing for aesthetic versatility with trim color and finish.
- 2.5-step MacAdam Ellipse.
- Thirteen preset distribution patterns allow designers to achieve tailored effects.
- Self-flanged semi-specular or matte-diffuse lower trim.
- Field-interchangeable optics.
- 35° shielding angle to refractive optic.

HOUSING

- Precision die-cast housing with decorative finial cap and no visible hardware.
- Textured polyester powder paint finish.

MOUNTING¹

- Pendant Mount Recessed Gear Box
- Pendant Mount Surface Gear Box
- Wall Mount Surface Gear Box. Mounting enabled in up or down position.
- Wall Mount Recessed Gear Box. Mounting enabled in up or down position.
- Ceiling Mount Recessed Gear Box
- Flush Ceiling Mount Surface Gear Box
- Cord Mount Recessed Gear Box
- Cord Mount Surface Gear Box



A+ Capable options indicated by this color background.

ELECTRICAL SYSTEM

- Solid-state LED light engine available in 2700 K, 3000 K, 3500 K or 4000 K color temperatures. Standard CRI: 80 typical. High CRI option available.
- Rated system life of >60,000 hours at 70% output.
- 120V TRIAC or ELV dimming and 0-10V dimming standard.
- Luminaire accepts parallel and branch circuit control wiring.

LISTINGS

- Fixtures are UL listed to meet US and Canadian standards. Pendant Mount, Surface Mount, and Flush Ceiling Mount are suitable for wet location; Covered Ceiling and Wall Mount versions are wet location listed in the down orientation.
- Various product configurations are Energy Star listed. Refer to the DOE website for qualified products: <https://www.energystar.gov/productfinder/product/certified-light-fixtures/results>.

WARRANTY

- 5-year limited warranty. Complete warranty terms located at: www.acuitybrands.com/CustomResources/Terms_and_conditions.aspx

Note: Actual performance may differ as a result of end user environment and application. All values are design or typical values, measured under laboratory conditions at 25 °C.

ORDERING INFORMATION

EXAMPLE: ICO CYL 35/10 2AR LSS 20D MVOLT UGZ FCM DWHG

Series	Color temperature	Nominal lumen values	Aperture/ Trim color	Finish	Beam	
ICO CYL	27/ 2700 K	05 500 lumens	2AR Clear	LSS Semi-specular	15D 15° beam angle	50D 50° beam angle
	30/ 3000 K	07 750 lumens	2PR Pewter	LD Matte diffuse	20D 20° beam angle	55D 55° beam angle
	35/ 3500 K	10 1000 lumens	2WTR Wheat		25D 25° beam angle	3515D Elliptical 35° x 15° beam angle
	40/ 4000 K	15 1500 lumens	2GR Gold		30D 30° beam angle	5020D Elliptical 50° x 20° beam angle
			2WR ² White		35D 35° beam angle	5060D Elliptical 50° x 60° beam angle
			2BR ² Black		40D 40° beam angle	6070D Elliptical 60° x 70° beam angle
					45D 45° beam angle	

Voltage	Driver	Mounting	Options
MVOLT ³ 120 277	UGZ ⁴ Universal dimming to 1% (0-10V, 120V TRIAC or ELV)	FCM Flush ceiling mount recessed gear box FCMS Flush ceiling mount surface gear box CBMG⁵ Cord mount recessed gear box CMS⁵ Cord mount surface gear box WM Wall mount recessed gear box WMS Wall mount surface gear box PMR⁶ Pendant mount recessed gear box PMSG⁶ Pendant mount surface gear box	CRI90 High CRI (90+) NPP16D^{7,8} nLight [®] network power/relay pack with 0-10V dimming. NPP16DER^{7,8} nLight [®] network power/relay pack with 0-10V dimming. ER control fixtures on emergency circuit. <u>Architectural Colors - Powder Paint</u> DW⁹ Matte white DDB Dark bronze DBL Black DWH Gloss white DMB Medium bronze DNA Natural aluminum DSS Sandstone DGC Charcoal grey DTG Tennis green DBR Bright red DSB Steel blue

ACCESSORIES order as separate catalog numbers (shipped separately)

CYK5 ⁹	1/4" (O.D.) stem and canopy with 5° "hang straight" swivel	OPTC2 ¹⁰	Additional optics available for field installation
CYK45 ⁹	1/4" (O.D.) stem and canopy with 45° swivel	OPTC2 KIT	Kit including a field interchangeable optic for each of the 13 preset beam distribution patterns

2" INCITO CYLINDER

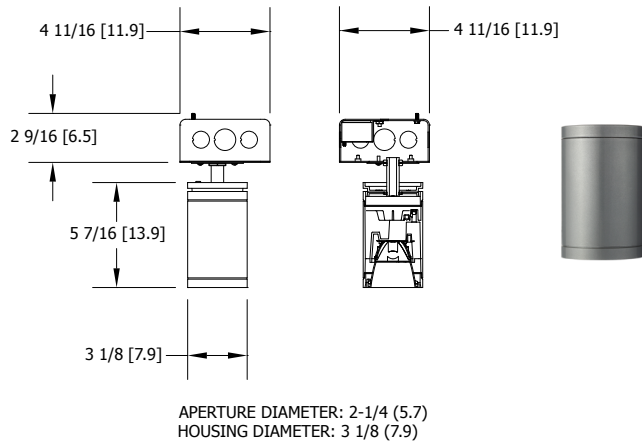
Open Cylinder
Solid-State Lighting



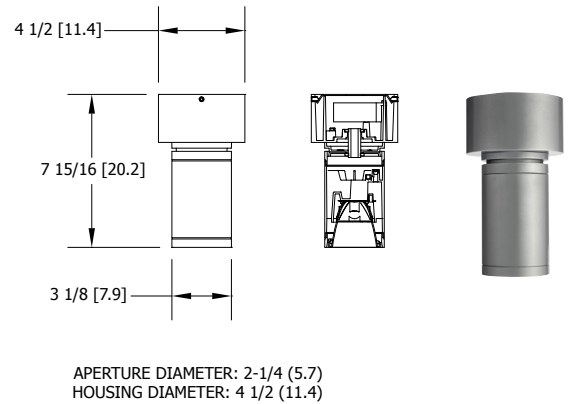
DIMENSIONAL DATA

All dimensions are inches (centimeters) unless otherwise noted.

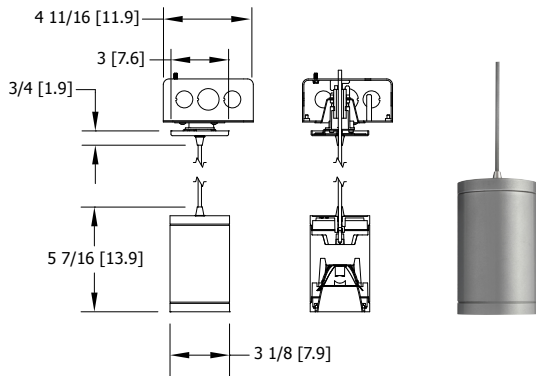
CEILING MOUNT CONSTRUCTION [FCM]



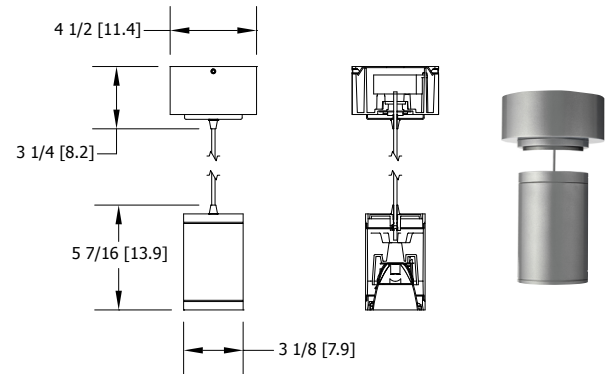
FLUSH-CEILING MOUNT SURFACE GEAR BOX CONSTRUCTION [FCMS]



CORD-MOUNT CONSTRUCTION [CBMG]



CORD-MOUNT SURFACE GEAR BOX CONSTRUCTION [CMS]



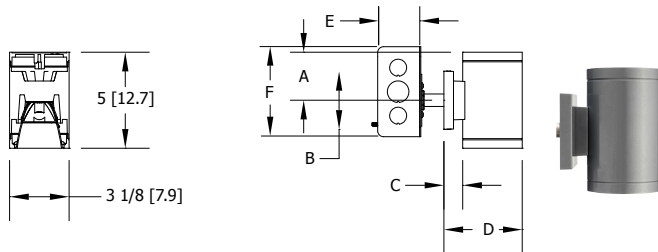
NOTES

ORDERING NOTES

- See dimension section for graphics.
- Not available with finishes.
- Multi-volt 120-277V.
- Refer to [TECH SHEET 240](#) for full list of recommended compatible dimmers. Control system electrical load, and protocol may limit minimum dim level.
- CMS & CBMG are damp location listed; Canopy shipped as standard. DWHG, DWH, & DNA colors ship with gray cord; all others black cord. Usable cord length is 10 feet.
- Must specify stem and canopy. See Accessories.
- Device must be remote mounted. Will not be factory installed. Access required to location of remote mounted device.
- Must specify 120V or 277V.
- Color and length of stem must be specified (from 2 feet to 12 feet in 2 foot increments). Ex: CYK5 DWHG 4FT
Stem section adjacent to cylinder can be cut in field to achieve non-uniform lengths. Order next highest even length for provisions (i.e. for a field cut 3' length, order 4' stem).
- Must specify desired optical distribution from available options in "Beam" column. i.e. OPTC2 15D or OPTC2 3515D

All dimensions are inches (centimeters) unless otherwise noted.

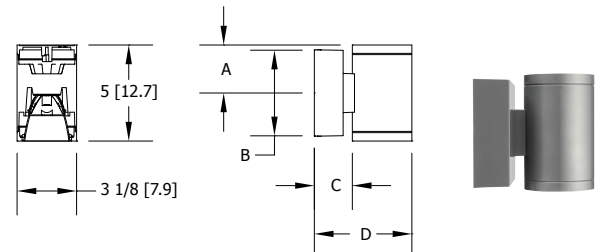
WALL MOUNT CONSTRUCTION [WM]



APERTURE DIAMETER: 2-1/4 (5.7)
HOUSING DIAMETER: 3 1/8 (7.9)

WALL MOUNT DIMENSIONS
A: 2 1/2 (6.4)
B: 3 (7.7)
C: 1 (2.5)
D: 4 1/16 (10.4)
E: 2 9/16 (6.5)
F: 4 11/16 (11.9)

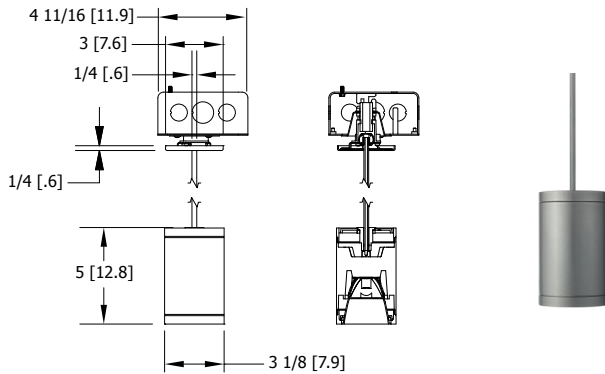
WALL-MOUNT SURFACE GEAR BOX CONSTRUCTION [WMS]



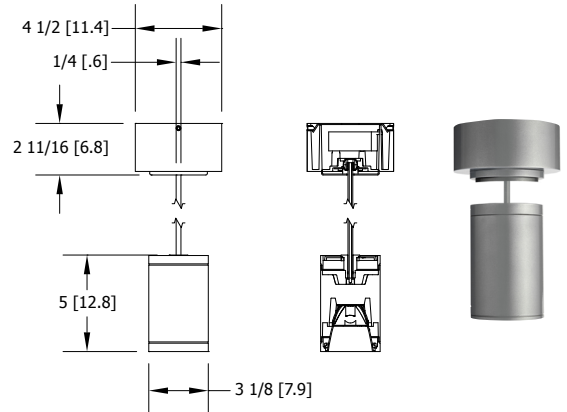
APERTURE DIAMETER: 2-1/4 (5.7)
HOUSING DIAMETER: 3 1/8 (7.9)

WALL MOUNT DIMENSIONS
A: 2 1/2 (6.4)
B: 4 7/16 (11.3)
C: 2 (5.0)
D: 5 1/16 (12.9)

PENDANT MOUNT RECESSED GEAR BOX CONSTRUCTION [PMR]



PENDANT MOUNT SURFACE GEAR BOX CONSTRUCTION [PMSG]



WATTAGE CONSUMPTION MATRIX	
LUMENS	WATTAGE
500	7
750	10
1000	13
1500	22

2" INCITO CYLINDER

Open Cylinder
Solid-State Lighting

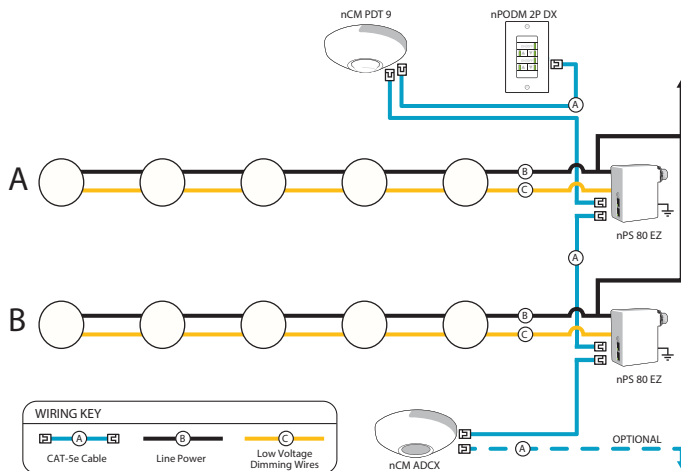


PHOTOMETRY

CONSULT GOTHAMLIGHTING.COM FOR PHOTOMETRY.

CRI	CCT	Multiplier
80	2700K	0.902
	3000K	0.951
	3500K	1
	4000K	1.073
90	2700K	0.78
	3000K	0.829
	3500K	0.85
	4000K	0.878

CONTROLS



nLight® Control Accessories:

Order as separate catalog number. Visit www.sensorswitch.com/nLight for complete listing of nLight controls.

WallPod stations	Model number	Occupancy sensors	Model number
On/Off	nPODM [color]	Small motion 360°, ceiling (PIR / dual tech)	nCM 9 / nCM PDT 9
On/Off & Raise/Lower	nPODM DX [color]	Large motion 360°, ceiling (PIR / dual tech)	nCM 10 / nCM PDT 10
Graphic Touchscreen	nPOD GFX [color]	Wide view (PIR / dual tech)	nWV 16 / nWV PDT 16
Photocell controls	Model number	Wall Switch w/ Raise/Lower (PIR / dual tech)	nWSX LV DX / nWSX PDT LV DX
Dimming	nCM ADCX	Cat-5 cables (plenum rated)	Model number
		10', CAT5 10FT	CAT5 10FT J1
		15', CAT5 15FT	CAT5 15FT J1